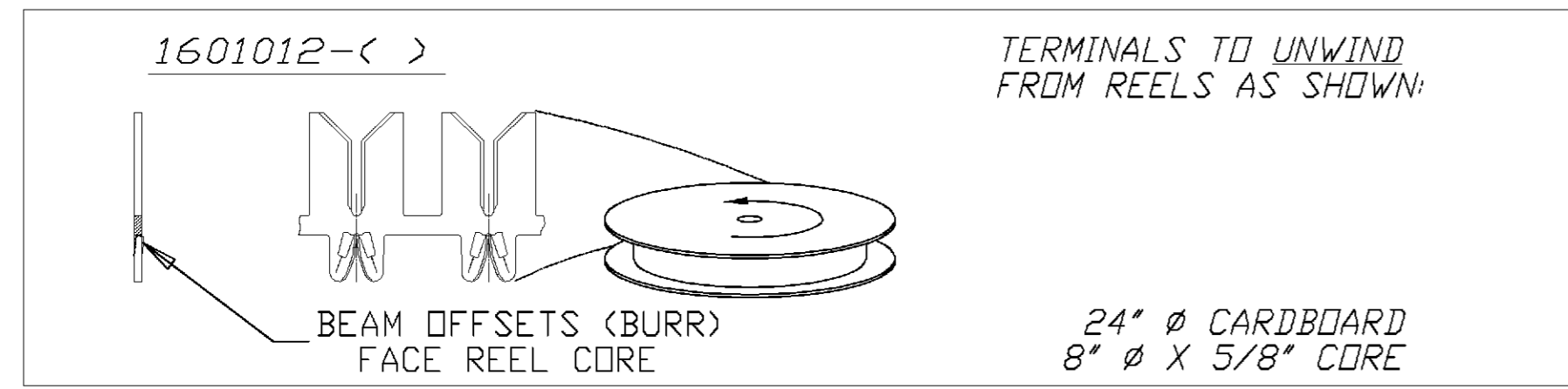
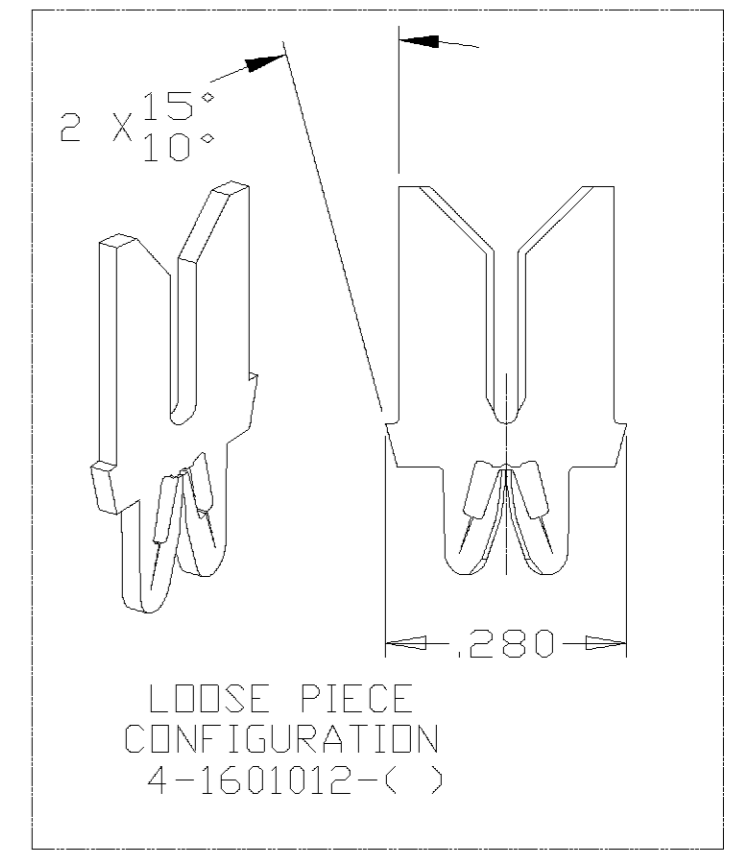
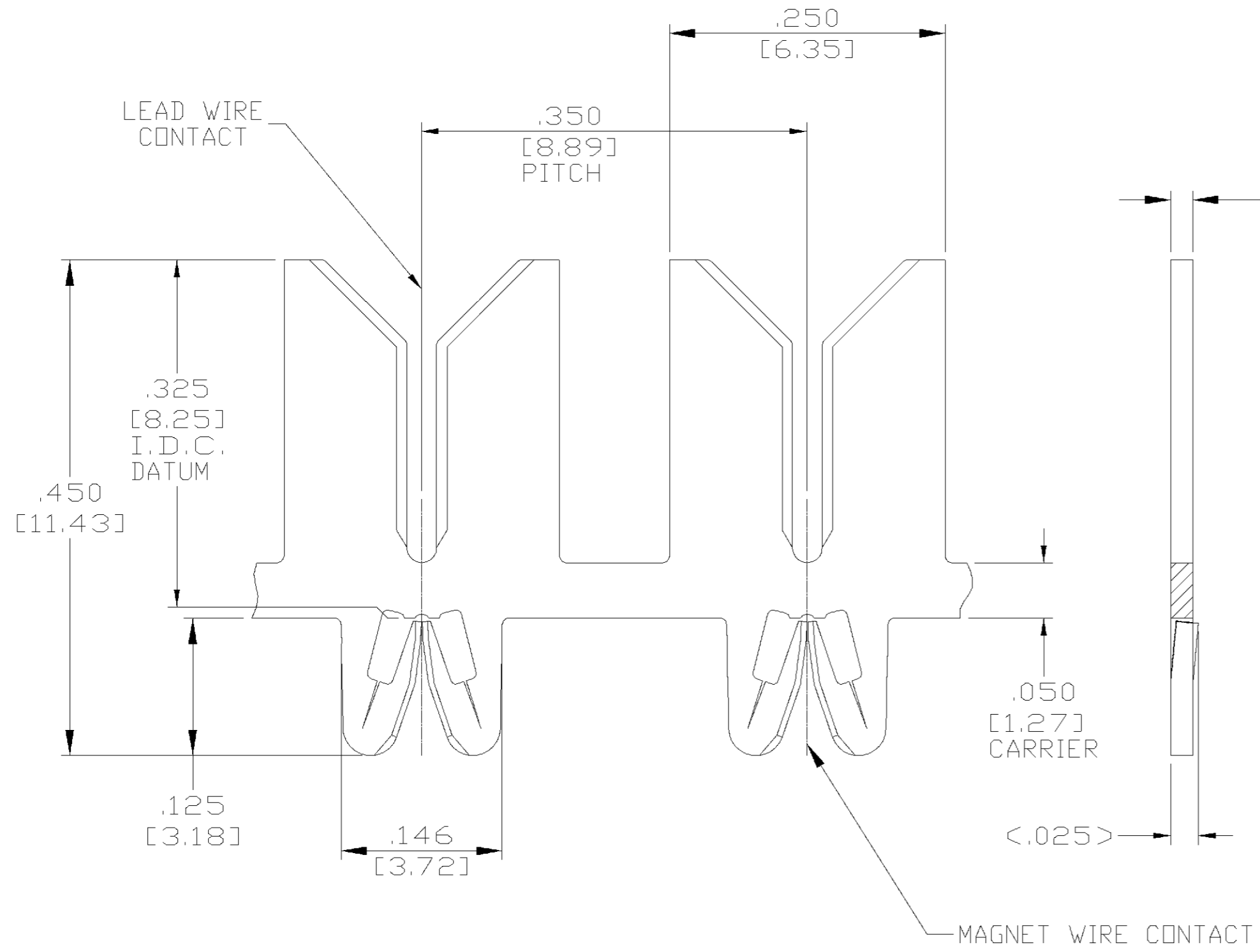


THIS DRAWING IS UNPUBLISHED. RELEASED FOR PUBLICATION
 © COPYRIGHT BY TYCO ELECTRONICS CORPORATION. ALL RIGHTS RESERVED.

LOC		DIST		REVISIONS			
P	LTR	DESCRIPTION		DATE	DWN	APVD	
AF	50	A		REVISED PER OG63-0026-02	18APR02	MF KR	

- SPECIFICATIONS:**
 MAGNET WIRE #34 - #18 AWG.
 .006" (0.16 mm) - .040"
 (1.02mm) DIA.
 LEAD WIRE: #18 AWG.
 MAX. INS. O.D. .140" [3.56mm]
 NO STRIPPING REQUIRED
- POCKET RECOMMENDATION:**
 # 1601430
- NOTES:**
 TERMINALS SUPPLIED ON REELS,
 CAN BE SUPPLIED LOOSE PIECE,



-	-	-
-	-	-
-	-	-
-	-	-
-	-	-
-	-	-
Unplated	131-024-000	1601012-1
FINISH	REFERENCE PART NUMBER	TYCO PART NUMBER
THIS DRAWING IS A CONTROLLED DOCUMENT.		
DIMENSIONS: INCHES	TOLERANCES UNLESS OTHERWISE SPECIFIED:	DWN J.WELLER 11JAN2002
	0 PLC ± -	CHK M.FEHER 11JAN2002
	1 PLC ± -	APVD K.RANDOLPH 11JAN2002
	2 PLC ± .01[0.13]	PRODUCT SPEC 108-2085
	3 PLC ± .005[0.026]	APPLICATION SPEC 408-8629
4 PLC ± -	WEIGHT -	SIZE A2
ANGLES ± 2°	FINISH SEE TABLE	CAGE CODE 00779
MATERIAL BRASS, SPRING HARD	SEE TABLE	DRAWING NO C=1601012
CUSTOMER DRAWING		RESTRICTED TO -
SCALE 9:1		SHEET 1 OF 1
REV A		