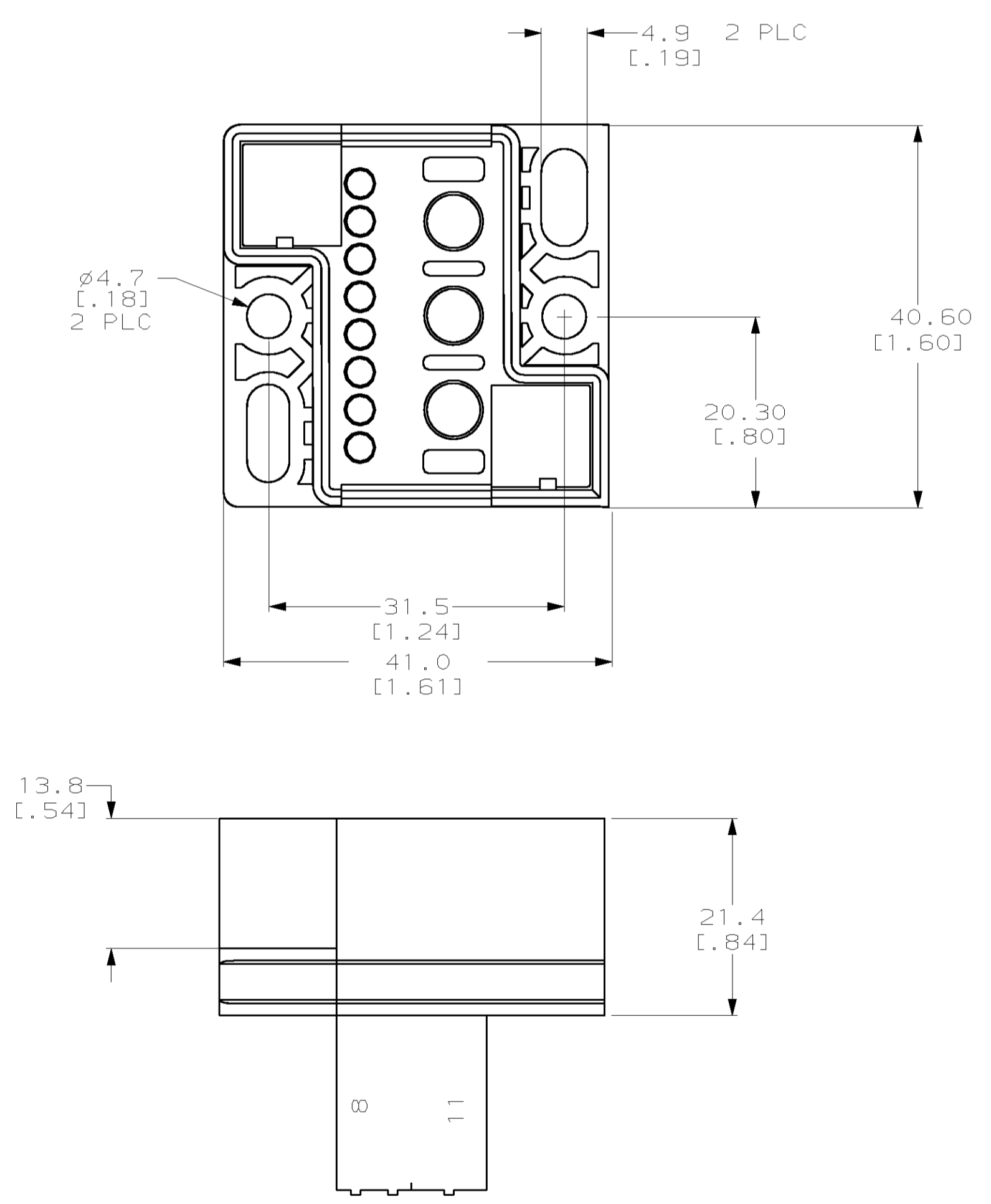
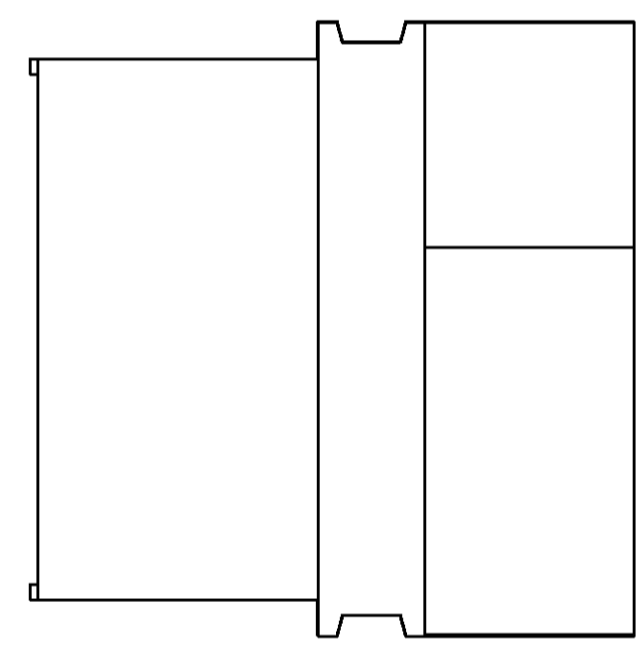
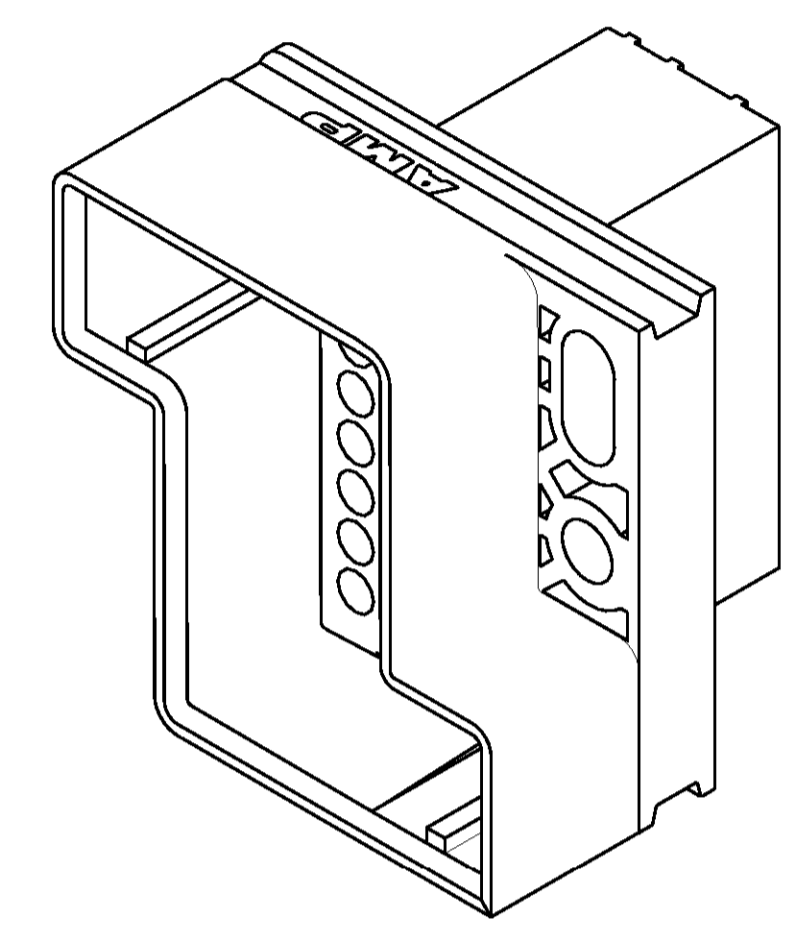
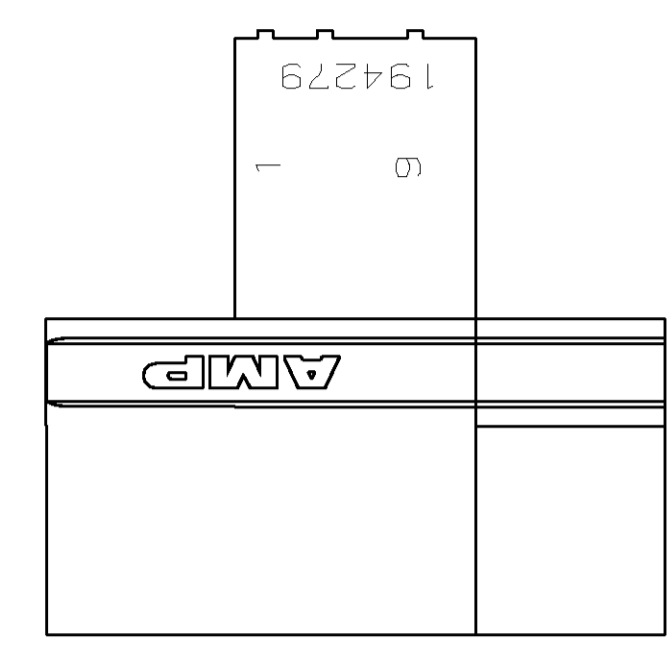


REV. NO.		REVISIONS			
REV.	DATE	DESCRIPTION	DATE	BY	APPROV.
0					
B		REVISE PER ECN 063B-0624-00	12DEC00	SU	65

*AMPPOWER is a trademark

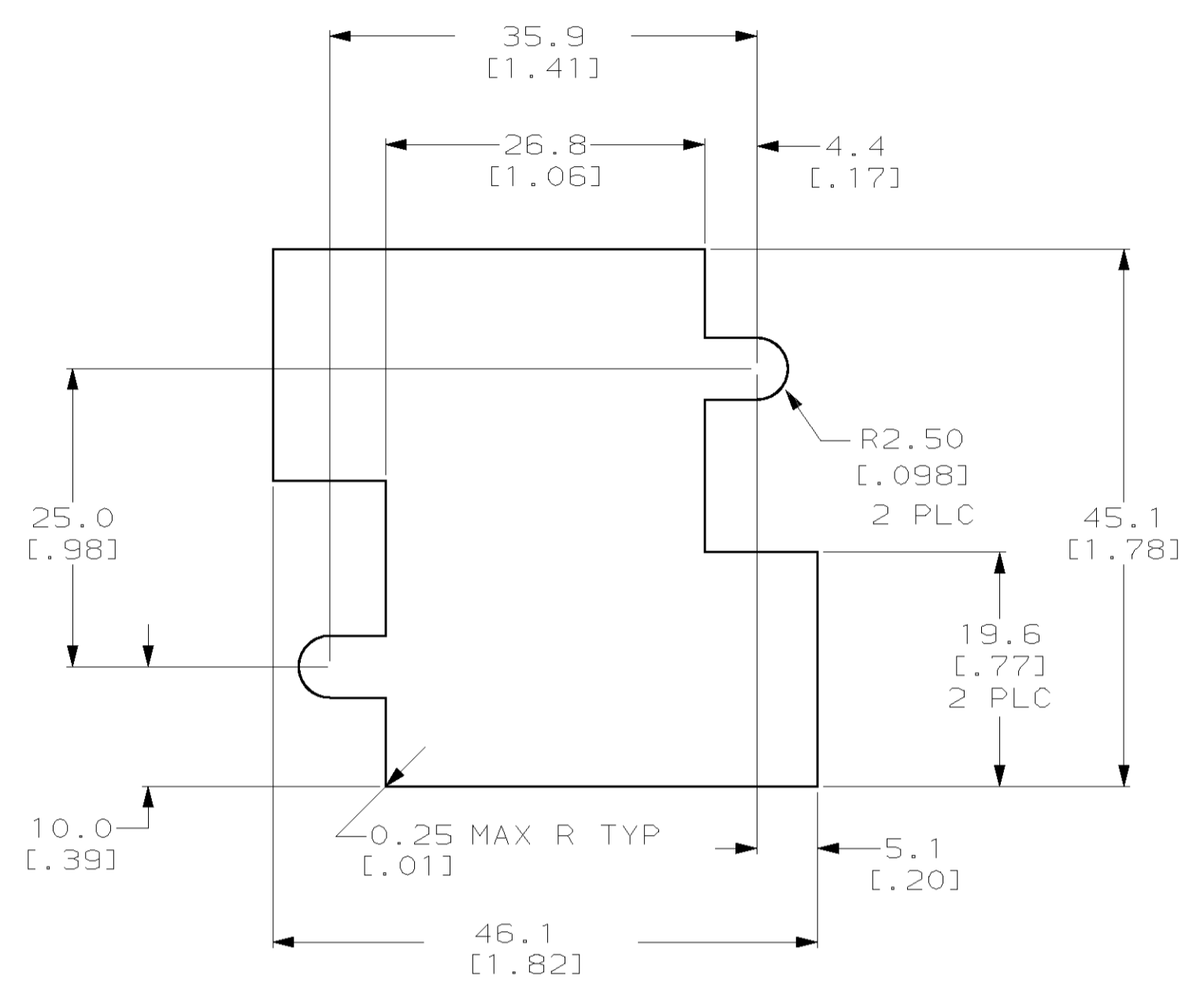


1. MATERIAL: POLYESTER PCT; BLACK.
2. POSITIONS 1 THRU 8 ARE FOR SIZE 16 CONTACTS.
3. POSITIONS 9-11 ARE FOR 3mm CONTACTS.
4. ALL DIMENSIONS ARE REF. ONLY.

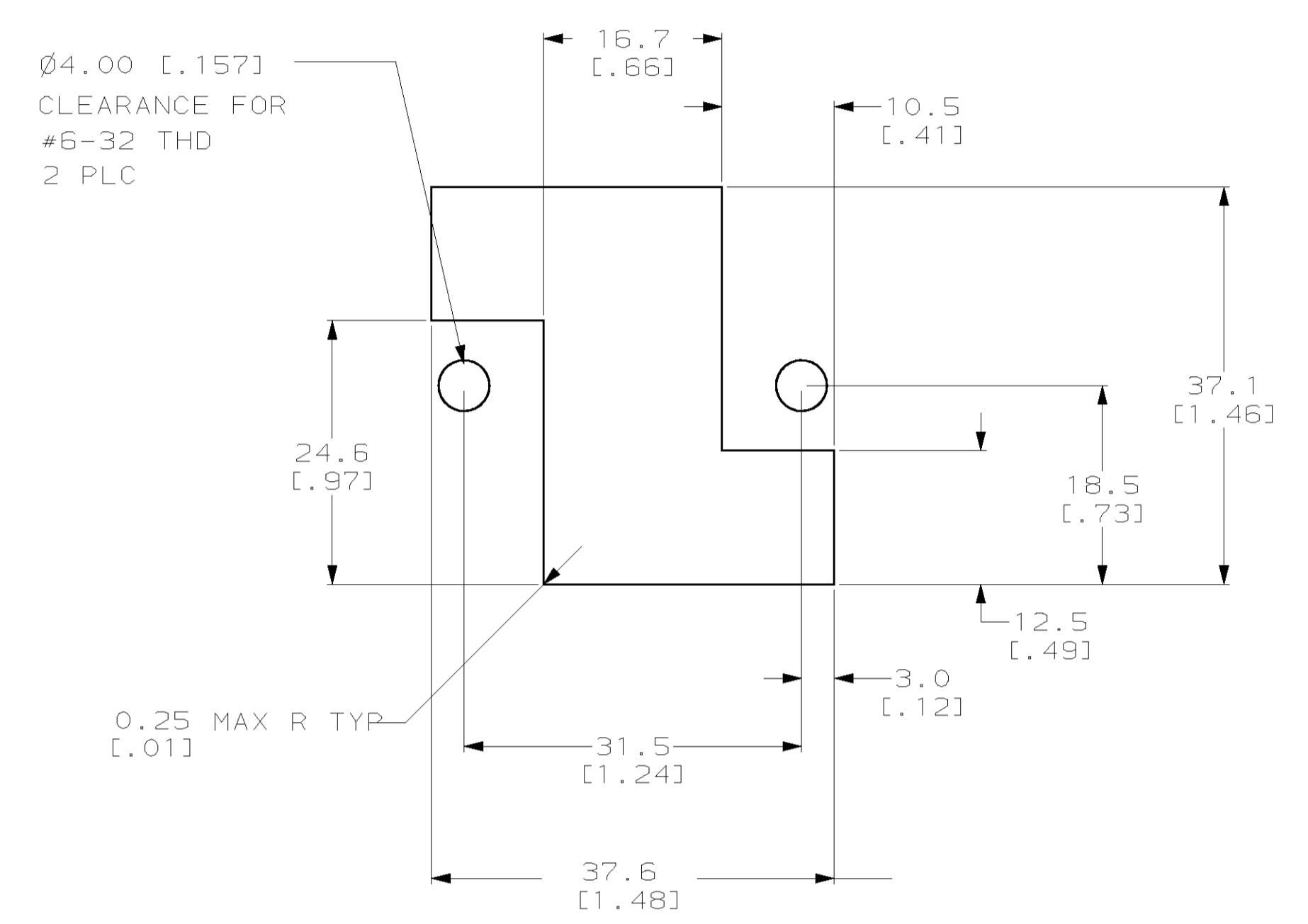
194279-1
PART NUMBER

<small>THIS DRAWING IS A CONTROLLED DOCUMENT AND IS UNPUBLISHED. IT IS SUBJECT TO CHANGE AND THE CONTROLLING ENGINEERING ORGANIZATION SHOULD BE CONTACTED FOR THE LATEST REVISION.</small>		DWN R N POLK 27APR98 CHK R N POLK 27APR98 APP'D R N POLK 27APR98 R N POLK 27APR98	AMP AMP Incorporated Harrisburg, PA 17105-3608
DIMENSIONS: mm (IN) TOLERANCES UNLESS OTHERWISE SPECIFIED: 0 PLC ±.05 1 PLC ±.05 2 PLC ±.05 3 PLC ±.05 4 PLC ±.05 ANGLES ±.05 FINISH -	PRODUCT SPEC - APPLICATION SPEC - WEIGHT - CUSTOMER DRAWING	SIZE A1 CAGE CODE 00779 DRAWING NO. C=194279 SCALE 2:1 SHEET 12 OF 12 REV B	AMPOWER* Multi Pin Plus HOUSING, RECEPTACE, 11 POSITION

LOC		DIST		REVISIONS			
FT	0	REV	DATE	BY	APPV	DATE	BY
-	-	1	SEE SHEET 1	-	-	-	-



RECOMMENDED FLOAT MOUNT PANEL CUTOUT
 EXTERNAL VIEW



RECOMMENDED STATIONARY MOUNT PANEL CUTOUT
 EXTERNAL VIEW

THIS DRAWING IS A CONTROLLED DOCUMENT.		DWN R N POLK 27APR98	AMP Incorporated Harrisburg, PA 17105-3608	
DIMENSIONS: mm (in)		CHK R N POLK 27APR98	NAME	
TOLERANCES UNLESS OTHERWISE SPECIFIED:		PRODUCT SPEC	AMPOWER® Multi Pin Plus HOUSING, RECEPTACLE, 11 POSITION	
0 PLC ±	1 PLC ±	APPLICATION SPEC	SIZE A1	CAGE CODE 00779
2 PLC ±	3 PLC ±	WEIGHT	DRAWING NO C-194279	SCALE
4 PLC ±	ANGLES	CUSTOMER DRAWING	SCALE	SHEET 22 REV B