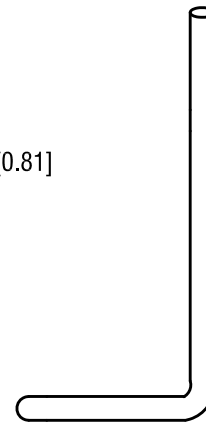
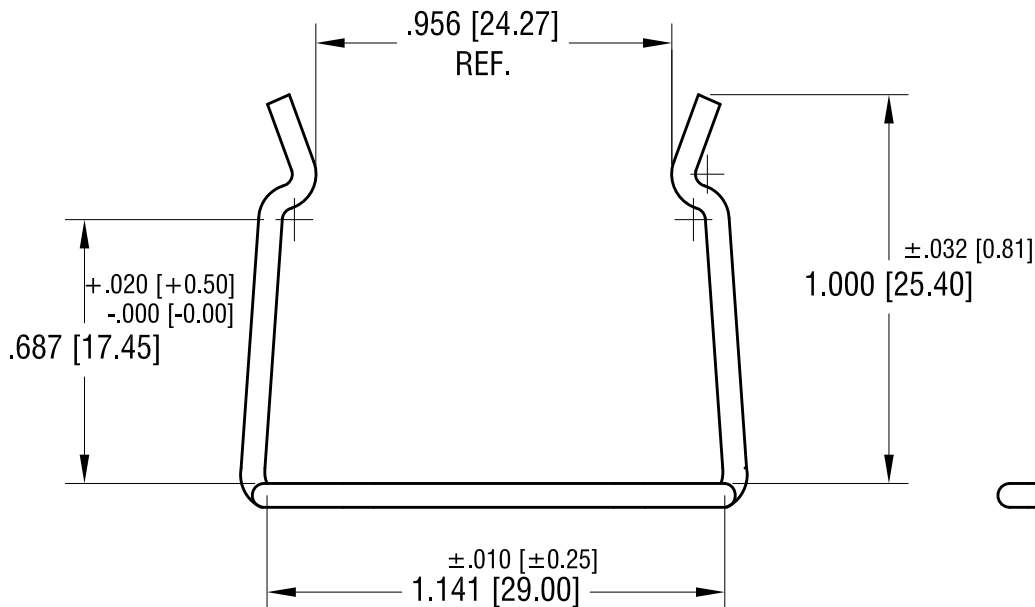
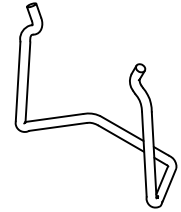
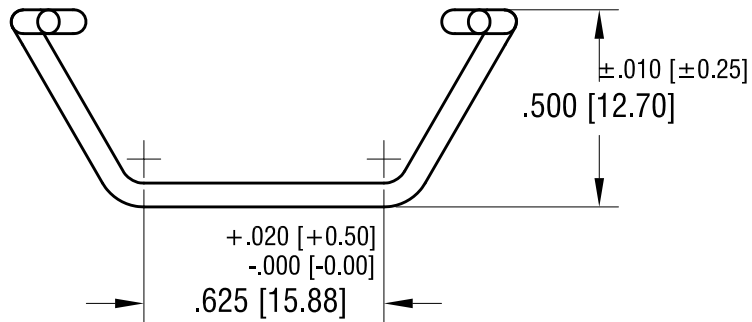


THIS DOCUMENT IS THE PROPERTY OF KEYSTONE ELECTRONICS CORP. AND SHALL NOT BE REPRODUCED, DISTRIBUTED OR USED AS A BASIS FOR MANUFACTURE WITHOUT PRIOR WRITTEN PERMISSION FROM KEYSTONE ELECTRONICS CORP.

ACTUAL SIZE



1.02.15	CHANGE AS PER ECN 15-001	C
10.01.14	CHANGE AS PER ECN 14-108	B
8.22.01	CHANGE AS PER ECN 01-056	A
DATE	DESCRIPTION	REV.

KEYSTONE ELECTRONICS CORP.			
www.keyelco.com • ASTORIA, N.Y. 11105-2017 • Tel (718) 956-8900			
PART NAME			
"D" CELL RETAINER CLIP			
MATERIAL			
.062 DIA. STAINLESS STEEL, SPRING WIRE			
FINISH		DRN BY	DATE
NONE		NT	10.8.81
		APP'D	SCALE
		LN	2X
TOLERANCES	INCH [MM]	CODE	DWG NO.
DECIMAL	$\pm .010 [\pm 0.25]$	C	63
ANGULAR	$\pm 1^\circ$		
UNLESS OTHERWISE SPECIFIED			